

## SCREEN CHANNEL SYSTEM

# S-2500 and S-2501



### TECHNICAL DATA

	S-2500	S-2501
Frequency Range (-10 dB)	35 Hz - 20 kHz	
Nominal Impedance	4 Ω	LF 4 Ω HF 16 Ω
<b>POWER CAPACITY</b>		
Continuous Pink Noise (1)	600 W	LF 1,200 W HF 80 W
Continuous Program	1,200 W	LF 2,400 W HF 160 W
Sensitivity 1W/1m	100 dB S.P.L.	LF 100 dB S.P.L. HF 110 dB S.P.L.
Crossover Frequency	500 Hz Passive included	500 Hz Active not included
Horizontal Beamwidth	90°	
Vertical Beamwidth	45°	
Dimensions (H x W x D)	140,5 x 63 x 47 cm	
Net Weight	65 kg	61 kg

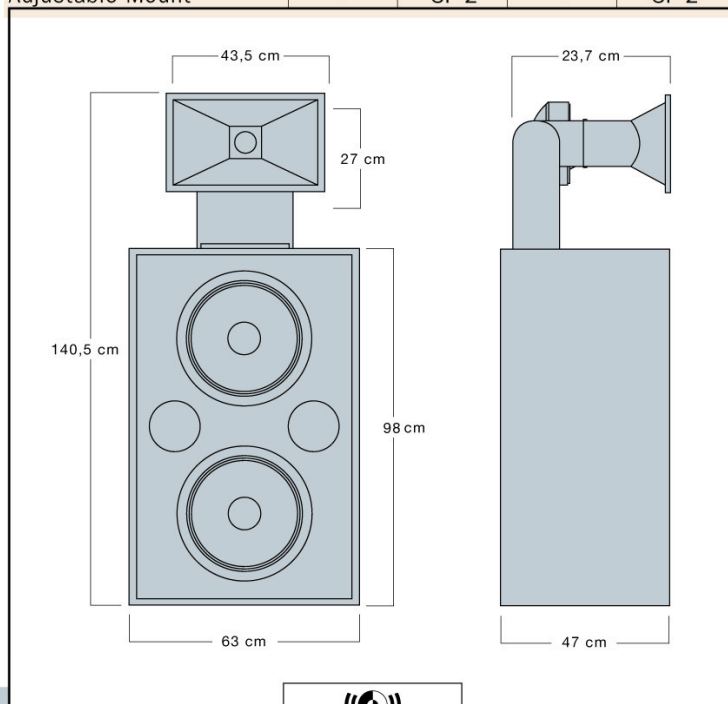
(1) Based on 2 hour test using a continuous 6 dB crest factor pink noise signal bandlimited according to IEC 268-1 (1985)

### COMPONENTS

	S-2500 SP-2F	S-2500 SP-2	S-2501 SP-2F	S-2501 SP-2
Cabinet	C-215F		C-215	
Low Frequency Driver	2 x S-1535			
Passive Network	F-500/4C		-	
High Frequency Driver	S-801			
High Frequency Horn	S-201			
Fixed Mount	SP-2F	-	SP-2F	-
Adjustable Mount	-	SP-2	-	SP-2

K.C.S. acoustic systems **S-2500** and **S-2501** are a high quality set specially designed as a screen channel group for medium sized cinema theaters. These acoustic systems include a direct radiation technology bass cabinet with twin 15" Ø woofer. The treble system include a compression driver with 4" Ø titanium membrane and 2" Ø mouth with constant directivity horn.

S-2500 system incorporates a passive crossover with 500 Hz cutoff, while S-2501 is designed for bi-amplified applications and to operate with 500 Hz external electronic crossover.



**SUMINISTROS KELONIK, S.A.**

Badajoz, 159 bis 08018 Barcelona (SPAIN) Tel. 34-93 300 43 61  
Fax 34-93 300 03 15 E-mail: sk@kelonik.com

